



## Beihai Composite Materials Co., Ltd.

Add: Beihai Industry Park, Chonghong 280#, Jiujiang City, Jiangxi China

Mail: [info@metalfoamweb.com](mailto:info@metalfoamweb.com) <http://www.metalfoamweb.com>

Tel: 0086 792 8322300/22/29 Fax: 0086 792 8322312

### Product Description:

Aluminum foam panel is soundproof, fireproof waterproof, ultralight. To composite with aluminum sheet makes the product have better performance on sound insulation. They can be used as compartment bulked, wall, enclosure, etc.



### Specification:

Performance	Aluminum Foam with AL-sheet
Density(g/cm <sup>3</sup> )	<0.6
Bending Strength	16~24
Soundproof/dB	>20
Shockproof/Magnitude	1
Fire resistance	Nonflammable

## Workshop



## Packaging:

Foam aluminum panel products are generally packed in carton or wooden boxes.



**Application:**

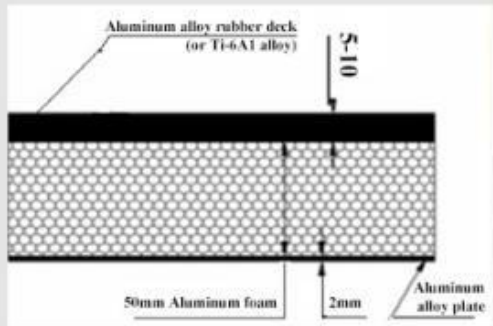
It can be used in the following sites to eliminate sound and to stop noise: pipeline silencers, head mufflers, plenum chambers, purification workshops, food-producing workshops, pharmaceutical factories, manufacturing shops of precise instrument, laboratories, wards and operating rooms, canteens, boats and passenger compartments, cabins, air-conditioning and ventilation equipment.



**National defense industry**

— Deck protection

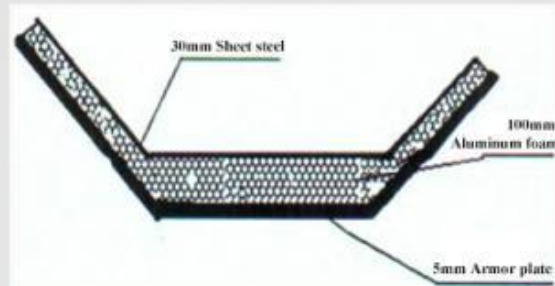
1. The impact strength of foam aluminum steel sandwich panels can be increased by several times to several times than that of solid ones.
2. The explosion shock wave can be attenuated by more than 70%.
3. Capability to withstand projectile penetration
4. Low explosion-proof density is beneficial to lightening the weight of ships.



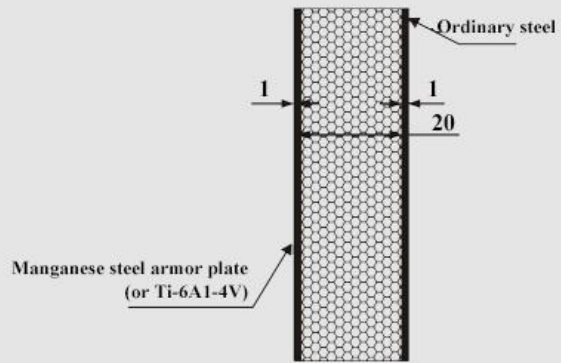
**National defense industry**

— Explosion-proof floor

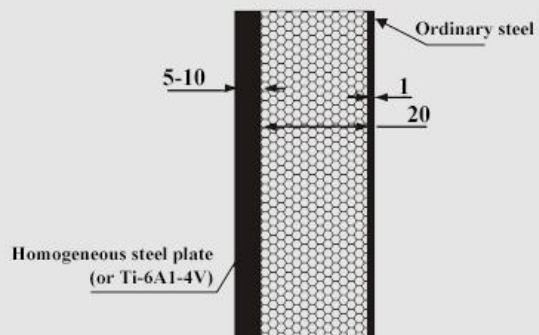
The explosion proof floor is armor plate / foam aluminum plate / steel sheet composite board







**The feasibility of making anti-riot vehicle composite armor**



**Making the ship deck feasibility proof**

Contact Us:

Tel: +86 792 8322300/8322322/8322329

Cell: +86 13923881139

Fax: +86 792 8322312

website: <http://www.chinabeihai.net>

Online contacts: Whatsapp & wechat: +86-13923881139



FAQ:

MOQ: 100m<sup>2</sup>.

2.Delivery time: around 20 days after confirm order.

3.Payment term: T/T 50% deposit in advance, 50% balance before shipment date.